



Manufacturers & Suppliers to The Trade

Today's date:	Contract No:
Date Required:	Reference:

Customer Name: .....  
 .....  
 Contact name: ..... Tel: .....

Are Bay pole deductions to be made: es o

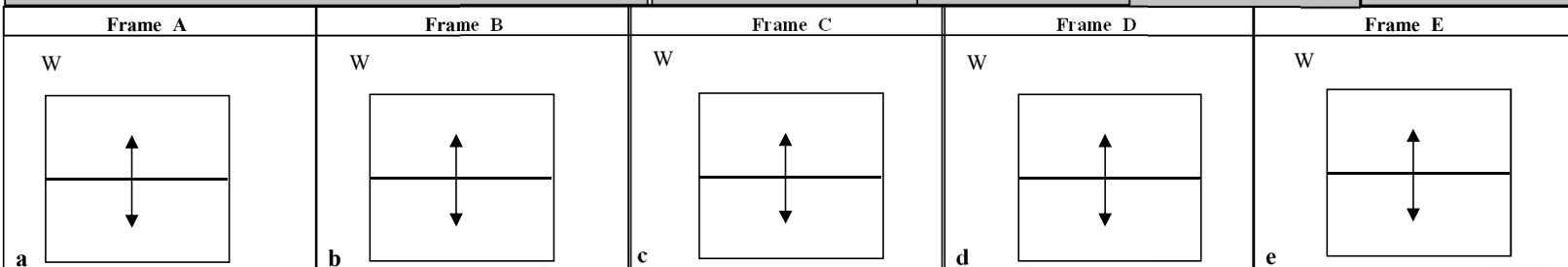
Posts: 90°   
 Poles: Variable   
 Fix Angle: 135°

Frame Finish:  
 White   
 Rosewood   
 Light Oak   
 Rose on White   
 Oak on White

Top Sash   
 Full Grip   
 Ring Pulls   
 Bottom Sash   
 Bow Handles   
 Hook Lifts

Handle finish:  
 White   
 Brass   
 Chrom   
 Silver

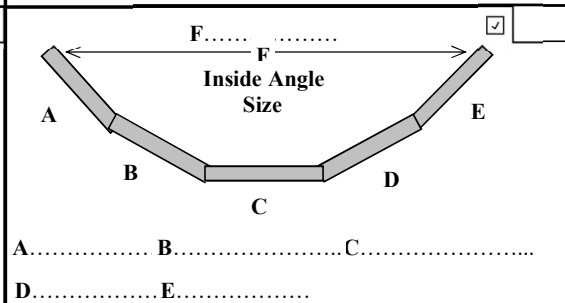
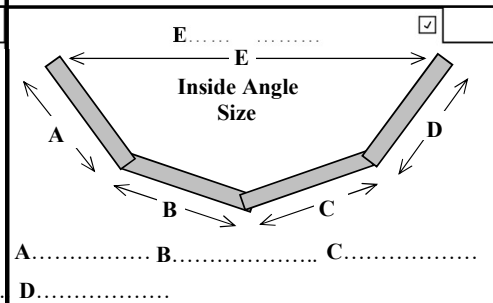
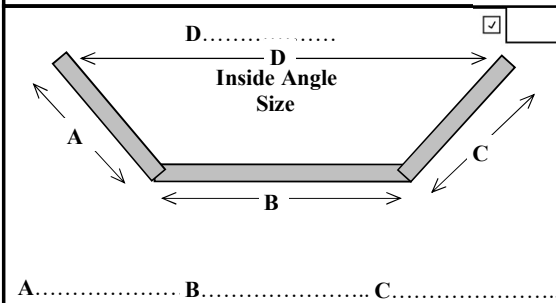
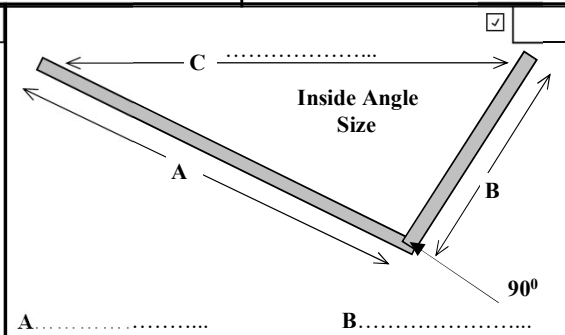
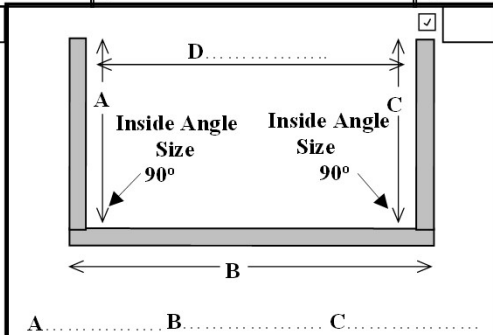
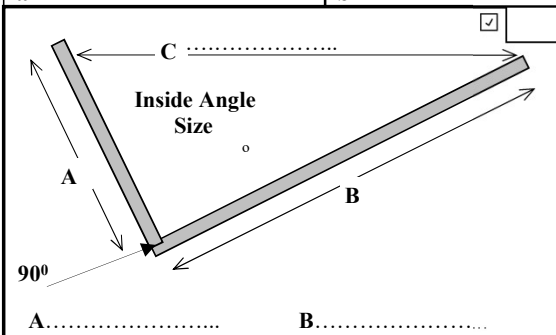
To Save Time on your order and any misunderstandings please enter in the appropriate boxes.



Weled Cill Size:  
 None:   
 150mm:  180mm:

Over All Height inc Cill:

Add On:  
 Top:  Bot:   
 Right:  Left:   
 Size: 15 mm:   
 25 mm:   
 50 mm:



Extras:  
 Child Restrictor   
 Night Vent:s

Glass Details:  
 Clear Glass:   
 Tough:   
 Lam:   
 Obs Pattern:

Please accept this order within the terms that I understand that the above represents final measurements of windows/door units. I therefore authorise you to proceed with manufacture in accordance with these details.

Notes:

Signed: \_\_\_\_\_ On Behalf of: \_\_\_\_\_

9mm Dia Lead:   
 9mmSqr Lead:   
 Geo Bar:  
 18mm   
 25mm